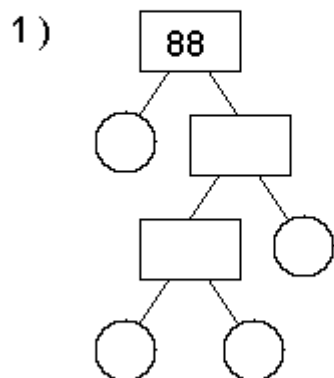


Name : _____ Score : _____

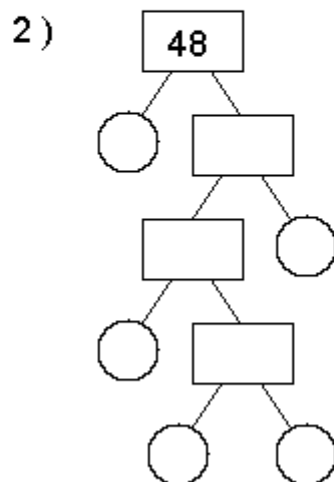
Teacher : _____ Date : _____

Find the Prime Factors of the Numbers



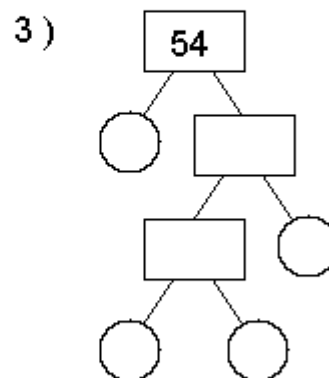
Prime Factors

$$_ \times _ \times _ \times _ = 88$$



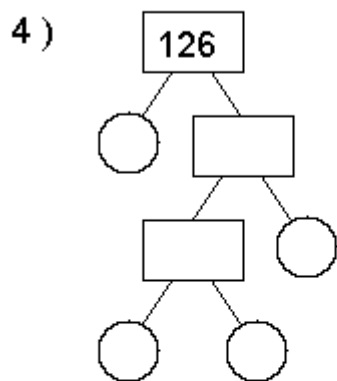
Prime Factors

$$_ \times _ \times _ \times _ \times _ = 48$$



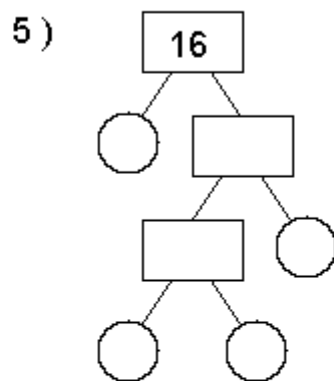
Prime Factors

$$_ \times _ \times _ \times _ = 54$$



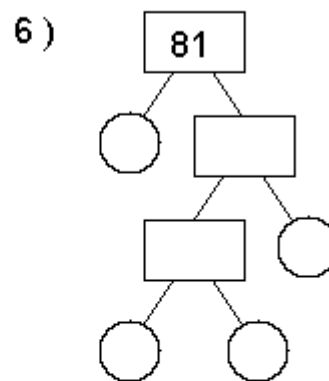
Prime Factors

$$_ \times _ \times _ \times _ = 126$$



Prime Factors

$$_ \times _ \times _ \times _ = 16$$



Prime Factors

$$_ \times _ \times _ \times _ = 81$$